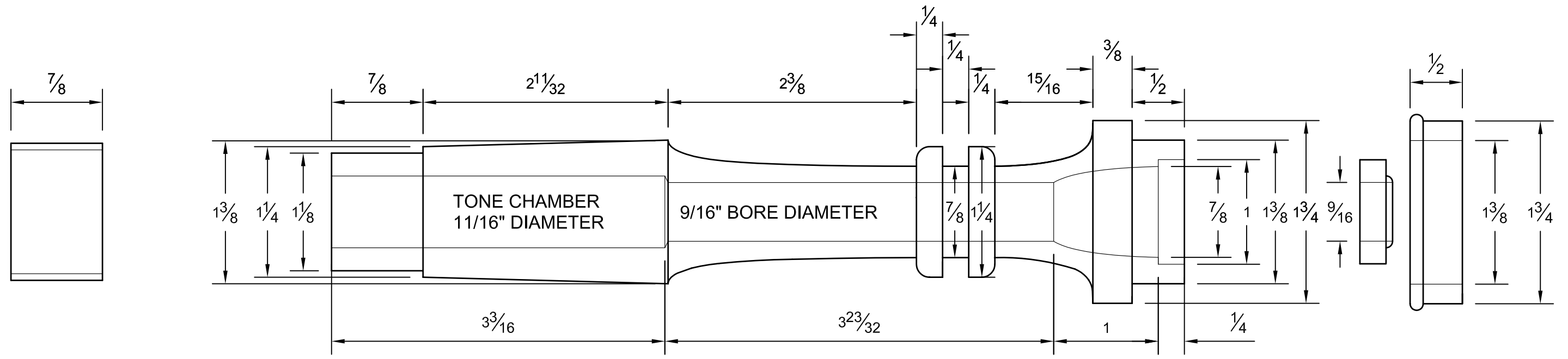


CUT REED SEAT USING STANDARD  
REPAIRMAN'S TAPERED REAMER



<h1>Tenor Drone</h1>	
Designed By: John L. Brock	
E-mail: <a href="mailto:jb@mcneel.com">jb@mcneel.com</a>	Drawing Scale 1=1